



CPC Punching Tools

GROZ-BECKERT®

Groz-Beckert KG

Parkweg 2, 72458 Albstadt, Germany

Phone +49 7431 10-0, Fax +49 7431 10-2777

contact-cpc@groz-beckert.com

www.groz-beckert.com

Punching Tools

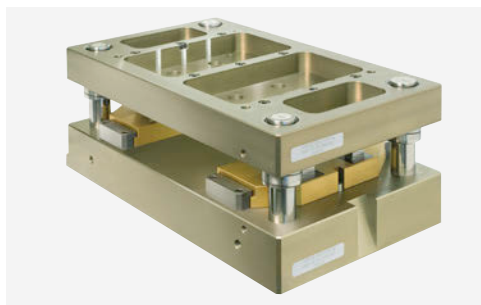
Precise and efficient, reliable and economical. Groz-Beckert punching tools are central to the separation of electrodes in the process used to manufacture batteries for energy storage systems.

Advantages

- Notching tool, compound or progressive die options
- Supports complex product shapes
- Customer-specific design
- Uniform die clearance in the μm range
- Patented tool technology



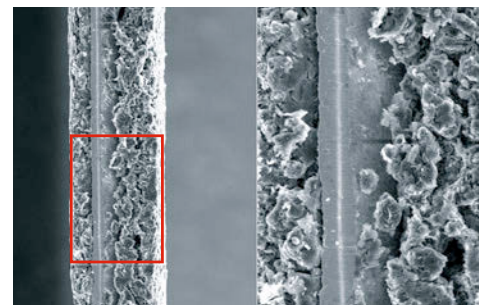
Notching tool



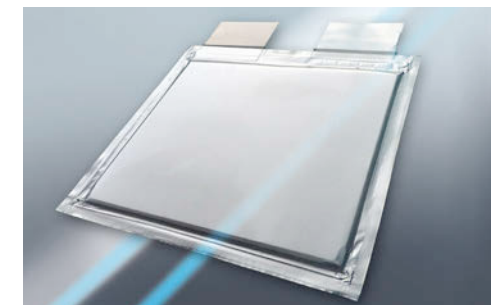
Complete tool



Tool detail



SEM view of the cut quality



Sample product

Punching tool technical data

Product size (L x W)	max 250 mm x max 250 mm ¹
Corner radius	> 1 mm
Regrind cycles	up to 20 times ²
Number of cutting cycles	over 1 million possible ³
Blade coating	in-house
Punching speed	dependent on the gripping and handling system

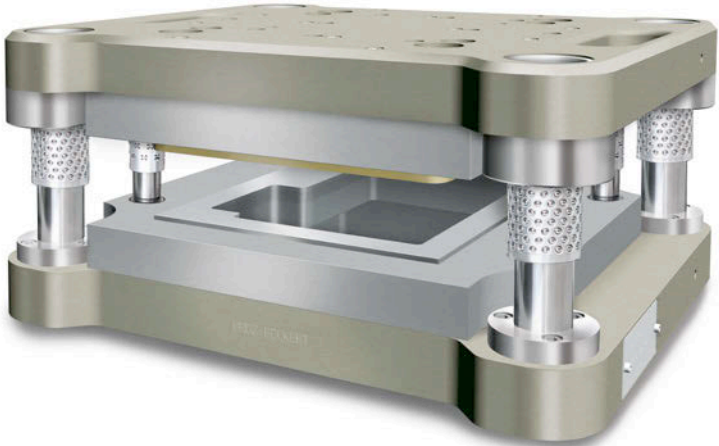
1 May vary according to the product geometry

2 Under normal wear conditions.

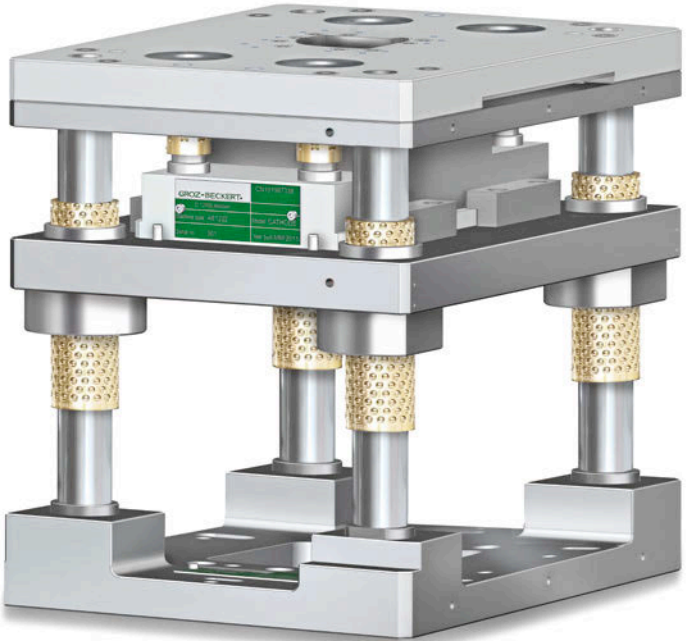
3 Dependent on the material

Options

Drive	According to customer requirements
Handling	According to customer requirements
Vacuum	optional
Air cleaning	optional



Full punching tool



Compound die